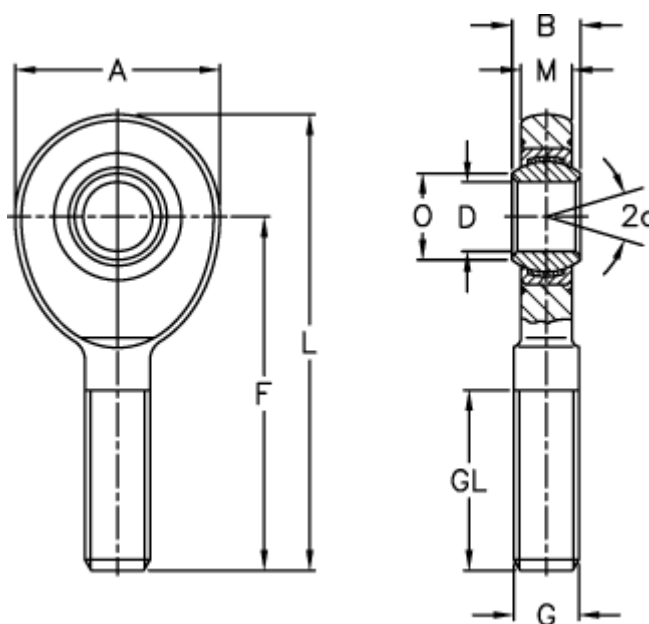


Article number: 03466006
 Description: Fluro Rod end EA 6D
 Note: 6

Measures



A	= 20	L	= 46
a (degrees)	= 13	M	= 4.4
B	= 6	O	= 8
D	= 6	Static drive kN	= 6.9
Dynamic drive (kN)	= 3.6	Weight	= 16
F	= 36		
g	= M 6		
GL	= 18		